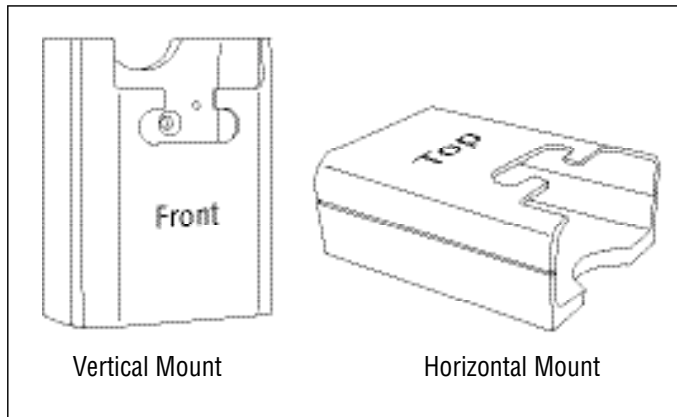


Installation and User Manual

Any model of IPOD with a dock connector can fit perfectly into a single IPOD-DOCK-MBQ through the use of Interchangeable Dock Adapters and an Insert. Dock Housing connects to any cable with an IPOD dock connector.

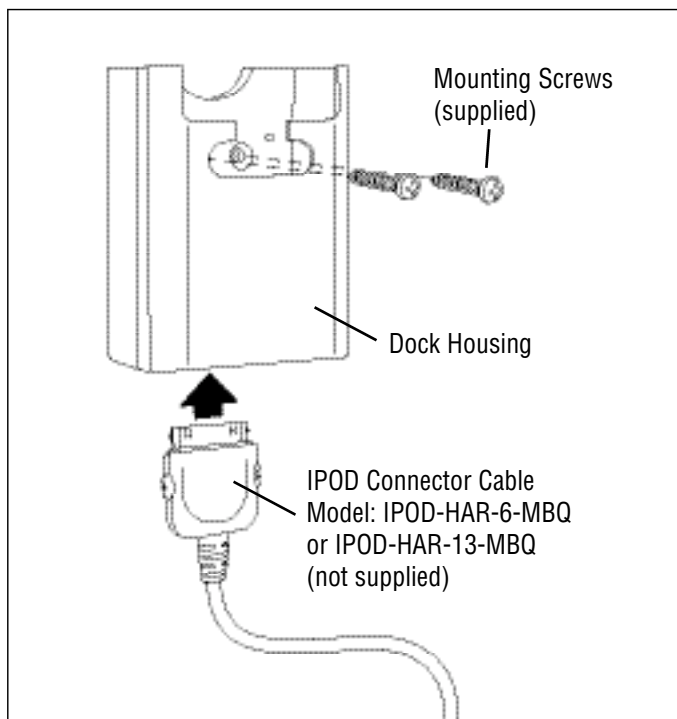
Installation

The IPOD-DOCK-MBQ has 2-way mounting capability: Surface or Dash mount. The housing can be installed vertically or horizontally. Choose a mounting location that provides easy access for the user.



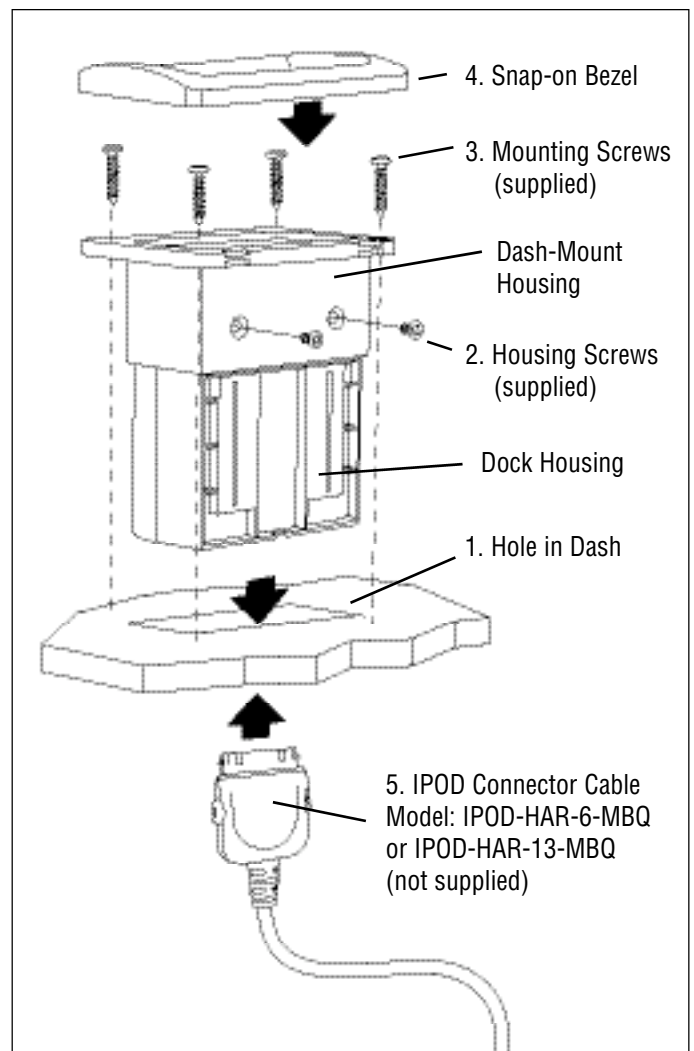
Surface Mounting:

1. Secure the Dock Housing in place by using the supplied mounting screws.
2. Attach the IPOD connector to the bottom of the housing.



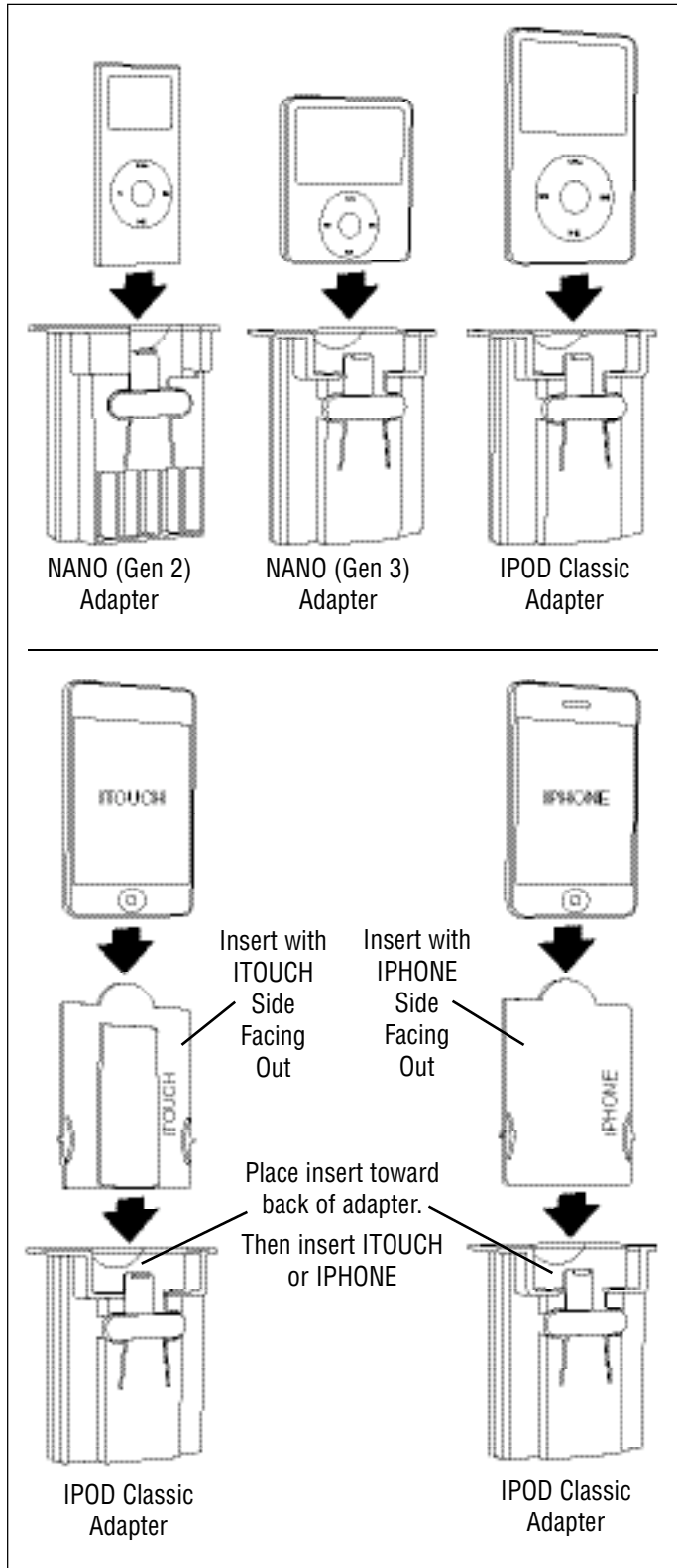
Dash Mounting:

1. Use the enclosed IPOD-DOCK-TEMPLATE to mark where you want to mount the Docking Station.
Note 1: Make sure there is enough room behind the dash to mount the Dock Housing.
Note 2: When cutting the hole into the dash make sure there are no cables or wires that can be accidentally cut.
2. Secure the Dash-Mount Housing to the Dock Housing using the supplied screws.
3. Secure the Dock Housing to the dash using the supplied mounting screws.
4. Snap-on the Bezel.
5. Attach the IPOD connector to the bottom of the housing.

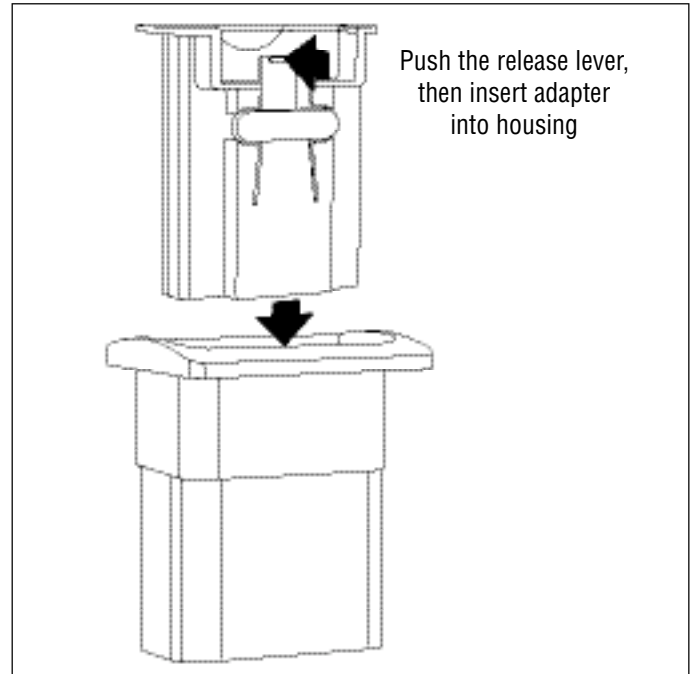


Adapters and Insert

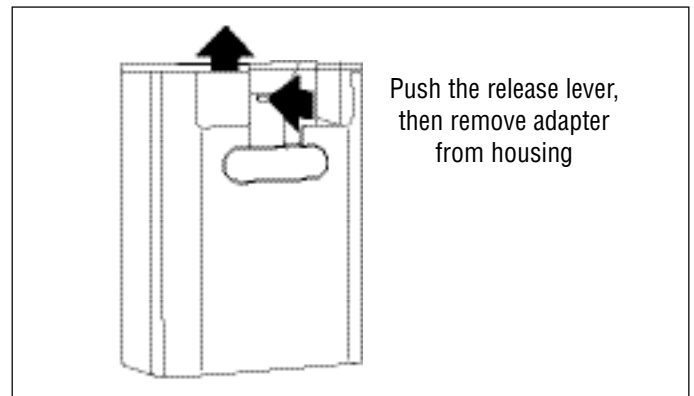
Use the diagram below to choose the Adapter/Insert that fits your IPOD. Identify the adapters by the labels on the back of the adapter housing.



Inserting Adapter



Changing Adapter



Cover

